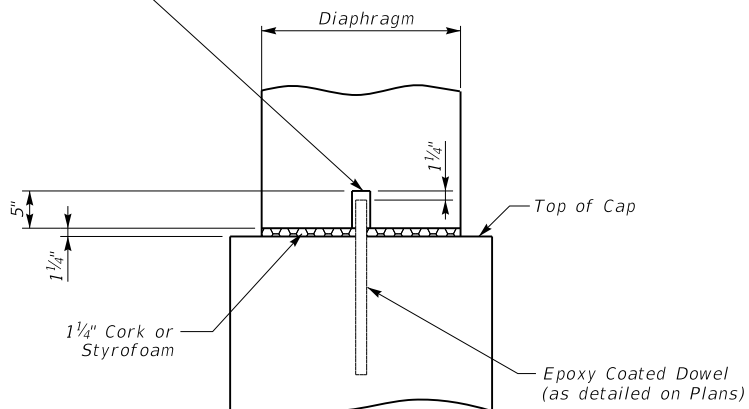
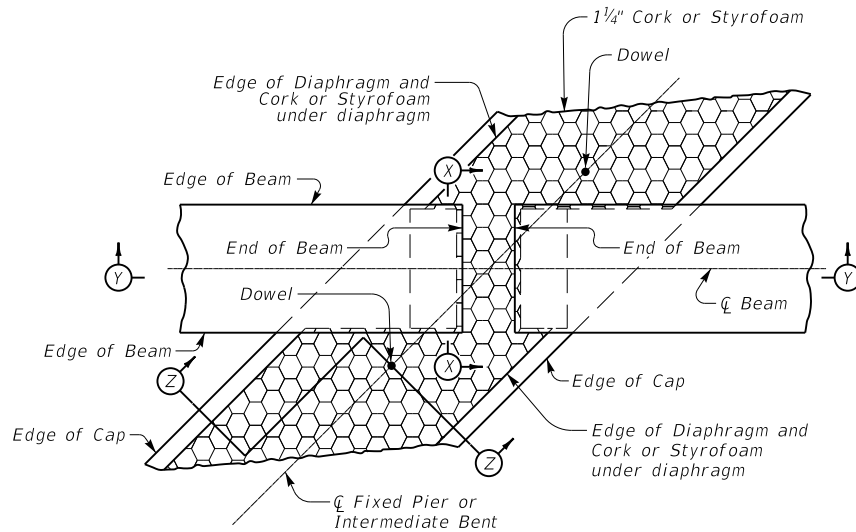


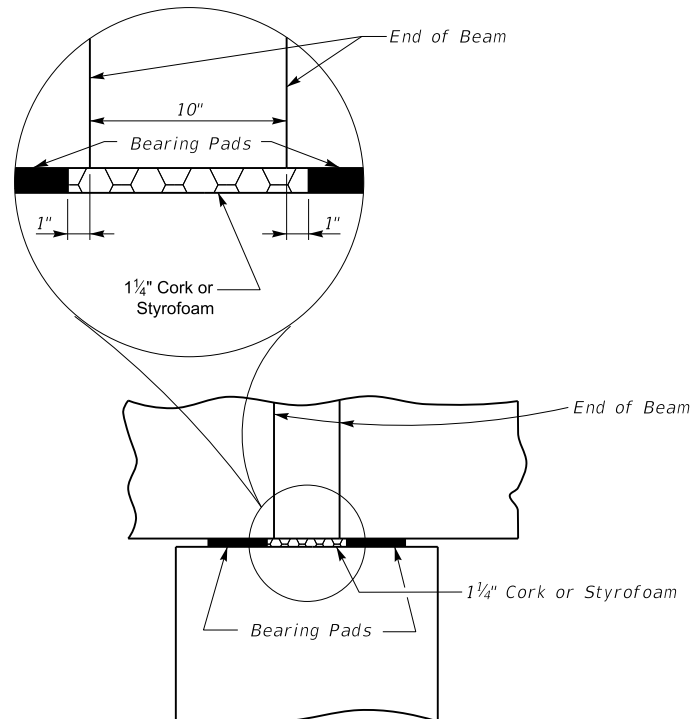
Std. Wt. 2" Commercial Pipe Sleeve closed at one end and 5" long. Secure Pipe Sleeve to prevent floating while placing Concrete. Sleeve is to sit on Cork or Styrofoam. Pipe Sleeve is to be incidental to Diaphragm Concrete.



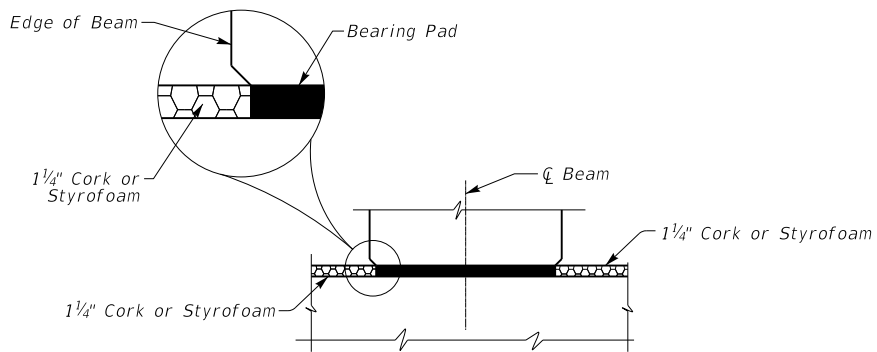
SECTION Z-Z



PLAN



SECTION Y-Y



SECTION X-X

KENTUCKY DEPARTMENT OF HIGHWAYS	
BEARING DETAILS	
STANDARD DRAWING NO. <i>BBP-002-04</i>	
SUBMITTED <i>Bob Adams</i>	DATE 02-26-20
DIRECTOR DIVISION OF STRUCTURAL DESIGN	
APPROVED <i>[Signature]</i>	DATE 02-26-20
STATE ENGINEER	